

HIGH PRESSURE WATER HEATERS

WHU80/200-12/24V

WHU80/450-12/24V

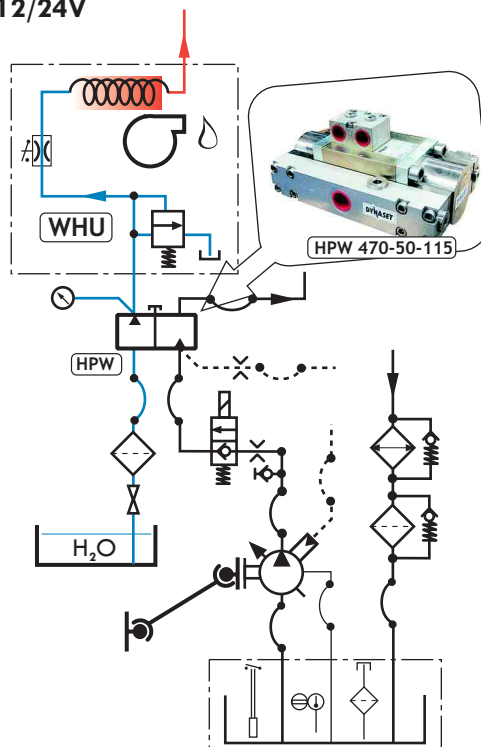


WHU compact water heater is to make demanding washing and cleaning jobs easy either with hot water or steam. WHU-unit is designed to be built in to a pressure line of DYNASET HPW high pressure washer.

High temperature considerably enhances impact effect and scouring capacity of water jets. Especially intended for mobile use, oil-fired WHU-unit runs connected to a on-board electric system of 12 or 24 V as well as to fuel delivery system of a motor vehicle.

WHU high pressure water heater comprises following units and assemblies:

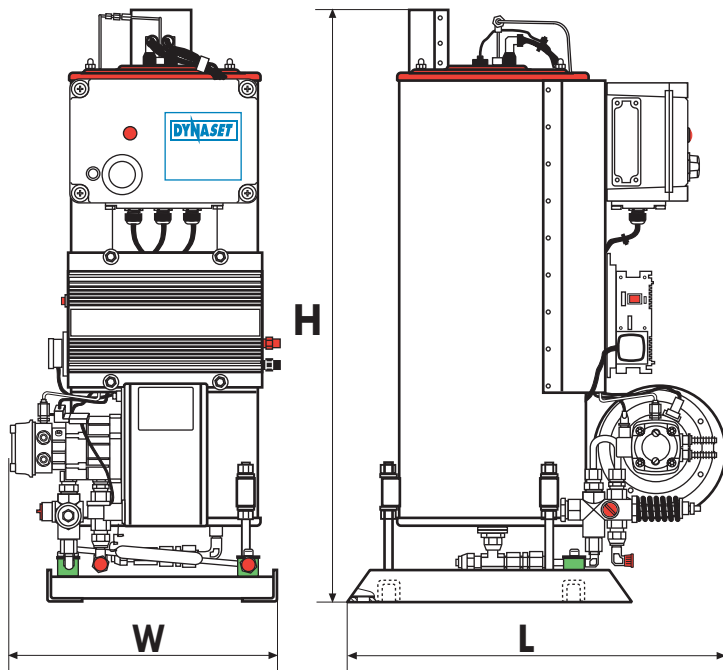
- * Oil-fired boiler with heating coil
- * Fuel pump and fan assembly
- * Oil burner with torch controller
- * Control equipment, incl. Flow- and pressure switches
Adjustable thermostat
- * Flue gas temperature limiter
- * Overflow valve



WHU 80/ XXX -12/24V	200	450
HEATING POWER	80 kW $\Delta t = 38\text{ }^\circ\text{C}$ at 30 l/min	
MAXIMUM WATER INFLOW PRESSURE	200 bar	450 bar
MAXIMUM TEMPERATURE	90 °C	95 °C
By request	130 °C	
FUEL CONSUMPTION, max	up to 6,5 kg/h	
FUEL FEED PRESSURE	10 - 12 bar	
ELECTRIC POWER SUPPLY	12 V DC / 50 A 24 V DC / 25 A	



WHU water heater along with other DYNASET high pressure equipment installed to mobile pipe cleaner.



WHU 80/XXX-12/24V	L	H	W	WEIGHT
	mm			kg
200 bar	570	930	350	75
450 bar	610	920	410	88