

FARMI[®]

Forest

Made in Finland



FARMI[®]

**MACHINES ARE BUILT FOR
QUALITY AND DURABILITY**

**MODULE STRUCTURED FOREST TRAILERS
HIGH PERFORMANCE AND STRONG
HYDRAULIC CRANES**

MODULE STRUCTURED FOREST TRAILERS

ROBUST FARMI FOREST TRAILERS

FARMI VARIO trailer with climbing bogie, single beam flat bottom and strong hydraulic steering follows path of tractor on any terrain. With its ingenious module construction and add on accessories this allows optimum configuration for different forest haulage applications:

4 wheel drive, different brakes, trailer extension, adjustable bolsters, pump unit etc.

Low ground pressure saves the terrain. Vario trailer, Farmi crane and 4 wheel drive tractor make an efficient and flexible package for whole year forwarding in small and large sites and in short road transports.

VARIO 121

Heavy duty structure with huge 13 tonne load capacity. This trailer can be equipped with the biggest FARMI cranes (HK4571-6185). VARIO 121 4WD has excellent performance, equal to traditional forwarders.



VARIO 101

All round robust trailer with 11 tonne load capacity for professional forestry contractors and estate owners. Vario 101 has a complete module system like VARIO 121. Specific customer requirements are available as standard modules. Recommended FARMI cranes are HK 4066, 4571 and 4581. VARIO 101 is the ideal trailer for wood transport in all kinds of terrains.



FARMI CRANES

Farmi timber cranes have proven their productivity and reliability in different applications: forest trailers, chippers, road transport, agriculture, stationary use etc. The manufacturing process combines state-of-the art technology, carefully selected raw materials and experienced engineers to ensure that the cranes are reliable and productive.

Farmi cranes are strenght tested in according with the loader standard CEN/TC147/ WGP8 (180000 stress cycles is equivalent to 70000 cubic metres of handled wood in 7 years.

FARMI 6185 and 6167

(Reach 8,5 or 6,7 m) cranes are developed from the well proven HK61 series by assembling a stronger slewing device (slewing torque is huge 17,4 kNm) to them. FARMI 6167 has a single extension and FARMI 6185 has a double extension with maximum reach of 8,5 metres. Lifting cylinder has been placed above the main boom, making it less susceptible to damages. Welding seams are finished to minimise stresses and to give long life time in heavy forest work. These strong cranes have been designed for big trailers (VARIO 121 or PROFDRIVE 12 2WD / 4WD), purpose built forwarders, forest tractors and trucks for road transport.



FARMI 6185 and CH380HFC Chipper together on the tractor's 3 point linkage

FARMI 4581 and 4571

(Reach 8,1 or 7,1 m) have excellent lifting capacity, working geometry and slewing torque of 17,4 kNm. The cranes are designed for semi-professionals and professionals. FARMI 4571 has single hexagonal extension. FARMI 4581 has double extension giving it a maximum reach of 8,1 metres.

FARMI 4066 (Reach 6,6 m) is all-purpose crane which is ideal for woodland estates, agriculture and timber handling. The main features are high lifting capacity, long reach, durability and reliability. This crane has a single hexagonal extension boom. The crane can be mounted on a tractor's three-point-linkage, tractor's chassis or PRIMERO 9000 / VARIO 101 trailers's drawbar.



FARMI 4066 and CH260HF Chipper together on the tractor's 3 point linkage



FARMI 6167 crane on VARIO 121 trailer

FARMI cranes have a number of technical attributes that guarantee their efficiency and long operating life



Four cylinders and double rack slewing give power and reliability. Double bearing in the lower base is designed for hard forest work.



Hexagonal boom profiles and special steel ensure excellent sliding features and high torsional and bending strength for the extension.



Hydraulic hoses and pipes have double fastenings. Welding seams are on unstressed zones. Wide angle joint gives optimal movements in the working area.



Hydraulic unit with constant or variable flow pump with 85 I reservoir to drive the crane and /or trailer four wheel drive.



FARMI grapples are a combination of strength and flexibility. They have the ability to grab and unload single stems and full grabs with ease and order.

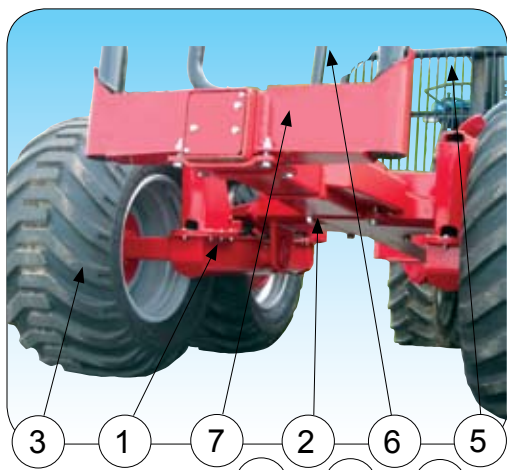
GRAPPLE TYPE	A	B	C	D	E
PTK 021 / 021S	1100	487	795	728	295
PTK 030	1326	570	947	821	295
PTK 024	1350	520	860	800	385
PTK 025	1310	570	850	760	370

GRAPPLE TYPE	PTK 021 (S)	PTK 030	PTK 024	PTK 025
Weight	kg 80	87	135	150
Loading capacity	kg 1420	1030	2200	2000
Working pressure	bar 195	175	195	210
Gripping force	kN 6,4	4,2	12,8	13
Gripping area	m ² 0,21	0,30	0,24	0,25

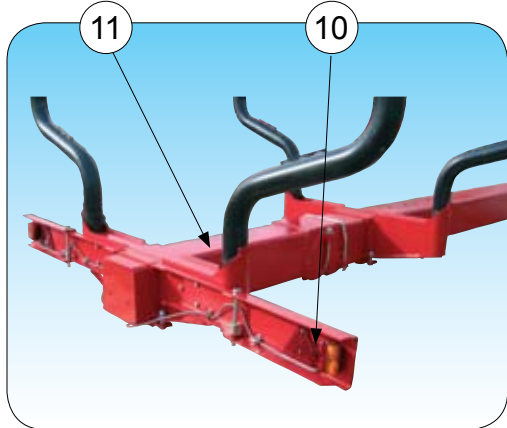
PTK 021 / PTK 030

PTK 021(S) / 024

PTK 025



Vario's adjustable, fully floating (both directions) tandem bogie is well guarded (1) from natural obstacles and provides excellent manoeuvrability in forest conditions. The high ground clearance 550 – 650 mm (depends on the wheel size) combined with a special strong single-beam frame (2) ensures good stability across the roughest of terrain. VARIO's strong and flexible frame beam is designed for years of hard forest work by the professional user. Hydraulic steering with two cylinders is a standard equipment. Several wheel alternatives (3) enables the user to choose the right trailer width for all forestry work. Different bogie and brake alternatives (4), well designed and strong head board (5), rotating bolster pins(6), adjustable bolster and extension (7) . Because of its MODULE STRUCTURE the drive device (8) with 19 kN tractive force can be added later on. All hydraulic hoses are well protected (9).

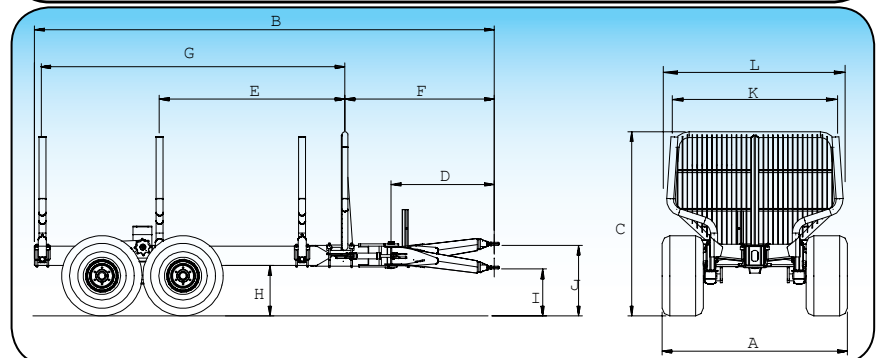


C = CODE IN THE PICTURES, S = STANDARD, A = ALTERNATIVE, O = OPTION

TECHNICAL DATA		C	101	121
Load capacity	t		11	13
Own weight	kg		1580-1830	1995-2180
Load area	m ²		2,4 m ²	2,6 m ²
Frame tube dimensions	mm	2	200 x 200 x 8	250 x 250 x 8
RECOMMENDED FARMI CRANES				
FARMI 4066			X	
FARMI 4571 / 4581			X	X
FARMI 6167 / 6185				X
EQUIPMENT AND ACCESSORIES				
Draw bar lock for road traffic			S	S
Extra bolsters/stakes		7	O	O
Hydraulic steering with two cylinders			S	S
Parking support			S	S
Rear light beam (can be turned)		10	O	O
Hydraulic pump unit / constant pressure			O	O
Hydraulic pump unit / constant flow			O	O
Electrical control valve for crane / trailer's 4WD			O	O
Frame extension, length 1 m		11	O	O
4WD drive device, tractive force 19 kN		8	O	O
Low drawbar with turning draw eye			A	A
High drawbar with fixed draw eye			A	A
Low drawbar with fixed draw eye			A	A
BOGIES				
S bogie, load capacity 11 t			A	
M bogie, load capacity 11 t			A	
L bogie, load capacity 13 t			O	S
BRAKES				
Without brakes		4	A	A
Hydraulic brakes in front hubs		4	A	A
Hydraulic brakes in all hubs		4	O	O
Two pipe air brake with spring P2S		4	O	O
Two pipe air brake with screw P2		4	O	O
WHEEL TO BE USED WITHOUT DRIVE DEVICE				
400/60-15,5 TRI-15 PR14, S6 / M6 boggies, ø 890 mm		3	S ¹⁾	
500/55-17 ELS PR12, M6 boggies, ø 1005 mm		3	O ²⁾	
16/70-20 PR14, 1320 (TT), L8 boggies, 1075 mm		3		S ¹⁾
500/60-22,5 F328 PR16, X8 boggies, ø 1170 mm		3		O ³⁾
600/50-22,5 F328 PR16, X8 boggies, ø 1170 mm		3		O ⁴⁾
WHEEL WITH DRIVE DEVICE 4 WD (also without)				
500/55-17 ELS PR12, M6 boggies, ø 1005 mm		3	S ²⁾	
550/45-22,5 PR12, L8 boggies, ø 1070 mm		3	O ³⁾	S ²⁾

One metre long extension for the frame beam is available for both VARIO -models. Rear lights (optional) can be protected by turning them in.

	VARIO 101	VARIO 121
A ¹⁾	2180 / 2080	2260
A ²⁾	2290	2450
A ³⁾	2390	2450
A ⁴⁾		2545
B	6020 / 6070	6770 / 6820
C	2230-2330	2385-2435
D	1295-1345	1320-1370
E	2595-2900	2685-2990
F	2000-2050	2040-2090
G	3890	4600
H	550-640	660-710
I	490-580	620-670
J	815-905	915-965
K	2090	2100
L	2200	2270



TECHNICAL DATA

Loader model	Lifting capacity, kg - (without grapple and rotator) 195 bar						
	Max outreach	3 m	4 m	5 m	6 m	7 m	8 m
HK 4066	480 (6,6 m)	1075	845	665	915		
HK 4571	490 (7,1 m)	1130	915	720	600	495	
HK 4581	395 (8,1 m)	1100	875	685	565	460	400
HK 6167	685 (6,7 m)	1550	1205	930	775		
HK 6185	460 (8,5 m)	1490	1145	855	720	615	490

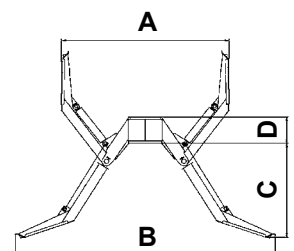
S = STANDARD, A = ALTERNATIVE, O = OPTION

TECHNICAL DATA		4066	4571	4581	6167	6185
Max reach	m	6,6	7,1	8,1	6,7	8,5
Gross lifting torque	kNm	40,6 - 44,0	45,1 - 48,8	45,1 - 48,8	61,5	61,5
Lifting torque	kNm	31,4 - 34,0	33,6 - 36,4	31,4 - 34,0	47,8	45,3
Working pressure	bar	180 - 195	180 - 195	180 - 195	195	195
Weight rotator and grapple	kg	105	105 / 159	105 / 159	190 / 205	190 / 205
Slewing angle	°	390	400	400	400	400
Slewing torque	kNm	8,7	17,4	17,4	17,4	17,4
Grapple rotation	continious	S	S	S	S	S
Grapple area tip to tip	m ²	0,21 (0,30)	0,21 (0,24)	0,21 (0,24)	0,24 (0,25)	0,24 (0,25)
Grapple rotation torque	kNm	0,93	0,93 / 1,0	0,93 / 1,0	1,0 / 1,3	1,0 / 1,3
Weight (incl. grapple and rotator)	kg	760 (767)	1045 (1100)	1045 (1100)	1180 / 1195	1240 (1255)
Weight of adapter and hydr. legs	kg	220	267	267	267	267
Recomm. pump capacity	l / min	25-50	30-60	30-60	60 - 100	60 - 100
Extensions	pc	1	1	2	1	2
Type of adapter and hydr. legs	FARMI SL	40	45 - 61	45 - 61	45 - 61	45 - 61
PROPERTIES						
Hexagonal extension		S	S		S	
Wide angle joints		S	S	S	S	S
Double bearing in the base		S	S	S	S	S
Slewing with 4 cylinders		S	S	S	S	S
Double fastening for hoses/pipes		S	S	S	S	S
3-point linkage attachment		S	O	O	O	O
Slewing head in oil bath			S	S	S	S
CONTROL VALVE BOARDS						
LC8/8 with 8 levers		A	A	A	A	A
LC2/8 with 2 levers		A	A	A	S	S
Floating positions in standard valve		S	S	S	-	-
LEC2/6+2, with 2 levers (on-off)		S	S	S	O	O
HPC2/6+2 hydraulic pilot control		O	O	O	O	O
EHC 2/8 electro hydraulic proportional control		O	O	O	O	O
EHC 2/8 with radio control		O	O	O	O	O
ACCESSORIES						
Operator's seat		O	O	O	O	O
Grapples (standard bolded)		PTK021(S)/030	PTK021(S)/024	PTK021(S)	PTK024/025	PTK024/025
Rotators (standard bolded)		FR10	FR10/FR15	FR10	FR15B/FR21B	FR15/FR21B
Gravel bucket for PTK021 (175 l)		O	O	O		
Manure / silage fork for PTK021 (210 l)		O	O	O		
Hydraulic winch 1,4 t / 175 bar / 45 m / 6 mm		O	O	O	O	O
Grapple oscillation brake		O	O	O	O	O
Hydraulic unit / constant flow pump		O	O	O	O	O
Hydraulic unit / constant press. pump		O	O	O	O	O

We reserve the right to make changes.

VH08Y08 / 11.08 / EN / PAKOTALO SEISKA OY / PRINTED IN FINLAND

Support legs	A	B	C	D
SL 40	1780	3015	920	250
SL 41-62	2040	3155	1148	318



FARMI
Made in Finland *Forest*