



# optimal P650



Tree Spade



Requirements for Power Unit:

## A Wheel Loader, Skid Steer Loader, Telescopic Loader

1 extra hydraulic circuit, double-acting, for implement attachment at front

- hydraulic working pressure 140 - 180 bar (2,000-2,560 lbs./in<sup>2</sup>)
- oil flow 40-60 l per minute (11-16 GPM)
- tipping load approx. 1.000 kg (2,200 lbs.)
- lift capacity approx. 600 kg (1,320 lbs.)
- type of attachment quick-change frame or frame for fixed attachment
- controls: electro-hydraulic valves  
rotary control switch

## B Farm Tractor

1 extra hydraulic circuit, double-acting, for implement attachment at rear

- hydraulic working pressure 140 - 180 bar (2,000-2,560 lbs./in<sup>2</sup>)
- oil flow 40-60 l per minute (11-16 GPM)
- engine capacity approx. 40 HP
- type of attachment lift mast HG 1500 with lateral slide
- controls 3 manual hydraulic valves for lift mast  
rotary control switch for tree spade
- optional PTO-driven hydraulic pump and oil depot

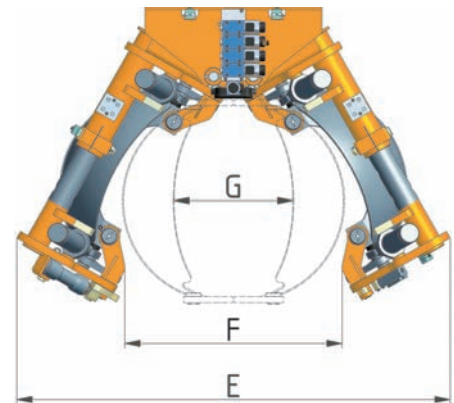
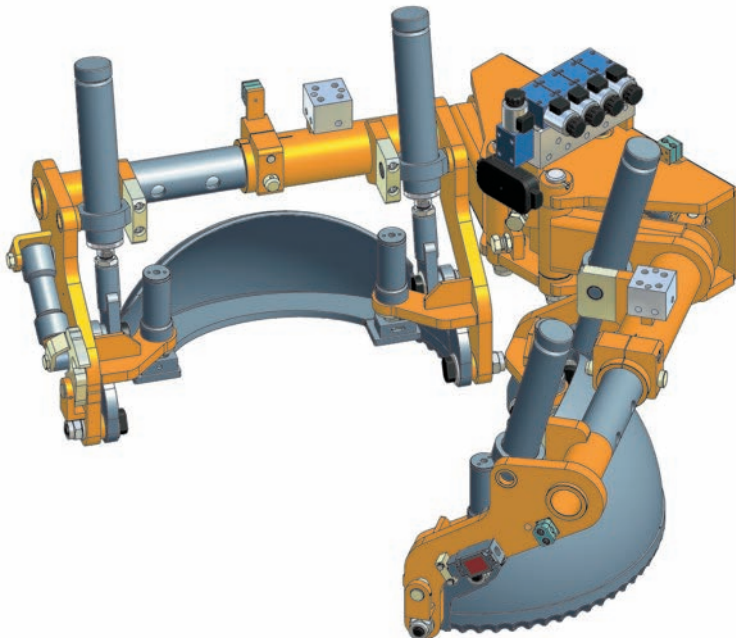
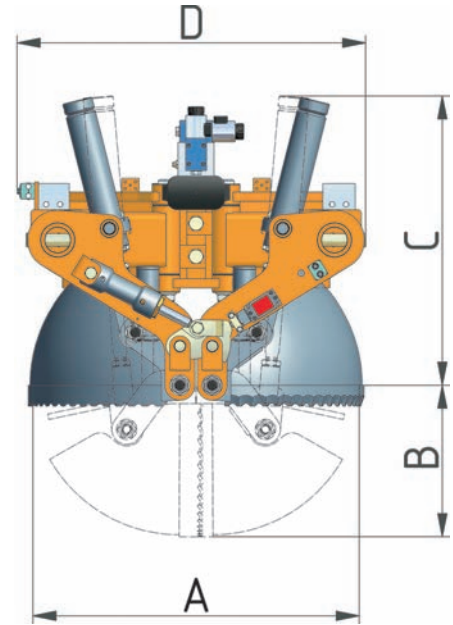
## C Special Attachments please enquire

### Basic Machine:

upper rootball diameter, approx.	A	65 cm (26")	55 cm (21")	45 cm (17")
rootball depth, approx.	B	30 cm (12")	28 cm (11")	23 cm (9")
working height	C	66 cm (26")	65 cm (26")	64 cm (25")
working width, gate closed	D	73 cm (29")	73 cm (29")	73 cm (29")
working width, gate open	E	140 cm (55")	135 cm (53")	130 cm (51")
clearance between open gate	F	64 cm (25")	59 cm (23")	54 cm (21")
inner frame diameter	G	43 cm (17")	37 cm (15")	32 cm (13")
weight, empty		270 (594 lbs.)	260 (572 lbs.)	250 kg (550 lbs.)
volume of rootball, approx.		0,065 m <sup>3</sup> (2 FT <sup>3</sup> )	0,046 m <sup>3</sup> (1,5 FT <sup>3</sup> )	0,027 (1 FT <sup>3</sup> )
number of blades		2	2	2

### Special Features

- low working height
- interchangeable scoop blades
- hydraulic rootball retainers
- self-lubricating bearings, abrasion-resistant



rotary control switch



Manufacturer: