

Rollmaster®

Faster, Safer Rollmoving



AeroGo Europe's Rollmaster™ literally floats heavy paper rolls on a thin film of compressed air, helping paper processors and web printers save time, manpower and money. Our patented technology makes it possible for one person to easily maneuver heavy loads without the use of a forklift or floor track system. As little as one kilo of push can move 500 kilograms of weight so one person can smoothly transport, rotate and precisely position even the largest heaviest paper rolls.

The Rollmaster™ uses standard shop air to instantly float and move heavy rolls in any direction. It is equipped with a fixed, full width handle, guide wheels, pressure regulator and on/off ball valve. An optional handle mounted air control is available. With the AeroGo® Rollmaster™, you get easy,

dependable omnidirectional roll control without hazardous fumes and noise. **AeroGo Europe** also manufactures a complete line of custom-engineered models for soft paper rolls and other moving applications.

ADVANTAGES OF THE AEROGO EUROPE ROLLMASTER™:

- Convenient handle and variable sizes for specific roll lengths
- Exceptional maneuverability in tight work spaces
- Omnidirectional mobility
- Safe, controlled operation
- Reduced risk of back and hand injury
- Air cushioning prevents expensive roll damage
- Increased productivity with less manpower
- Low cost-per-kilo of lift capacity
- Aero-Casters® protect floor surfaces
- Clean, static-free operation
- Operates with standard, industrial plant air
- Low maintenance
- Various wheel configurations available for unloaded movement without air

AeroGo Europe is a world leader in the engineering, design and manufacture of load moving systems. For more than 30 years, we have been offering innovative load moving solutions for a variety of industrial applications including construction, manufacturing and aerospace.

AeroGo Europe nv
Industrial Transport Systems
Kloosterstraat 107
BE-2180 EKEREN Belgium

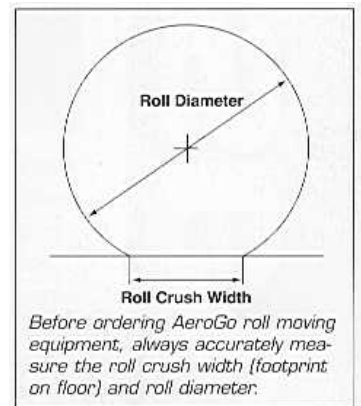
Tel. + 32/ (0)3/ 546.39.00
Fax + 32/ (0)3/ 546.39.39
Email: info@aerogo.be
Website: www.aerogo.be

Deutschland + 49/ (0)241.91.14.24
UK + 44/ (0)1732.36.00.54

Rollmaster™ specifications							
Model # RMXT-XX_*	Fork Length B	Roll diameters		Rollmaster Width (Dia.) A	Net weight	Air consumption	Replacement Aero-Casters®
		Min	Max				
3.629 kg capacity							
	mm	mm	mm	mm	kg	1/sec	
RC4A-36-24 *	610	610	914	914	49	40	12 *RM
RC4A-54-24 *	610	914	1372	965	50	40	12 *RM
RC4A-72-24 *	610	1219	1829	1016	51	40	12 *RM
RC4A-84-24 *	610	1575	2134	1092	52	40	12 *RM
RC4A-36-30 *	762	610	914	914	54	40	12 *RM
RC4A-54-30 *	762	914	1372	965	54	40	12 *RM
RC4A-72-30 *	762	1219	1829	1016	55	40	12 *RM
RC4A-84-30 *	762	1575	2134	1092	56	40	12 *RM
RC4A-36-36 *	914	610	914	914	58	40	12 *RM
RC4A-54-36 *	914	914	1372	965	59	40	12 *RM
RC4A-72-36 *	914	1219	1829	1016	60	40	12 *RM
RC4A-84-36 *	914	1575	2134	1092	61	40	12 *RM
RC4A-36-42 *	1067	610	914	914	63	40	12 *RM
RC4A-54-42 *	1067	914	1372	965	64	40	12 *RM
RC4A-72-42 *	1067	1219	1829	1016	64	40	12 *RM
RC4A-84-42 *	1067	1575	2134	1092	65	40	12 *RM
RC4A-36-48 *	1219	610	914	914	67	40	12 *RM
RC4A-36-48 *	1219	914	1372	965	68	40	12 *RM
RC4A-36-48 *	1219	1219	1829	1016	69	40	12 *RM
RC4A-36-48 *	1219	1575	2134	1092	70	40	12 *RM
RC4A-36-54 *	1372	610	914	1067	76	37	15 *RM
RC4A-36-54 *	1372	914	1372	1118	77	37	15 *RM
RC4A-36-54 *	1372	1219	1829	1168	78	37	15 *RM
RC4A-36-54 *	1372	1575	2134	1245	79	37	15 *RM
RC4A-36-60 *	1524	610	914	1067	81	37	15 *RM
RC4A-36-60 *	1524	914	1372	1118	82	37	15 *RM
RC4A-36-60 *	1524	1219	1829	1168	83	37	15 *RM
RC4A-36-60 *	1524	1575	2134	1245	84	37	15 *RM
5.443 kg capacity							
RC6A-36-30 *	762	610	914	1067	58	41	15 *RM
RC6A-54-30 *	762	914	1372	1118	59	41	15 *RM
RC6A-72-30 *	762	1219	1829	1168	60	41	15 *RM
RC6A-84-30 *	762	1575	2134	1245	61	41	15 *RM
RC6A-36-36 *	914	610	914	1067	63	41	15 *RM
RC6A-54-36 *	914	914	1372	1118	64	41	15 *RM
RC6A-72-36 *	914	1219	1829	1168	65	41	15 *RM
RC6A-84-36 *	914	1575	2134	1245	65	41	15 *RM
RC6A-36-42 *	1067	610	914	1067	67	41	15 *RM
RC6A-54-42 *	1067	914	1372	1118	68	41	15 *RM
RC6A-72-42 *	1067	1219	1829	1168	69	41	15 *RM
RC6A-84-42 *	1067	1575	2134	1245	70	41	15 *RM
RC6A-36-48 *	1219	610	914	1067	72	41	15 *RM
RC6A-54-48 *	1219	914	1372	1118	73	41	15 *RM
RC6A-72-48 *	1219	1219	1829	1168	74	41	15 *RM
RC6A-84-48 *	1219	1575	2134	1245	75	41	15 *RM

* Insert N, T, or V as required
N-Standard (smooth scaled concrete floors)
T-Tuffcoat™ (for rough floor surfaces)
U-Urethane (severe abrasion resistance, not available on 12" Aero-Caster®)

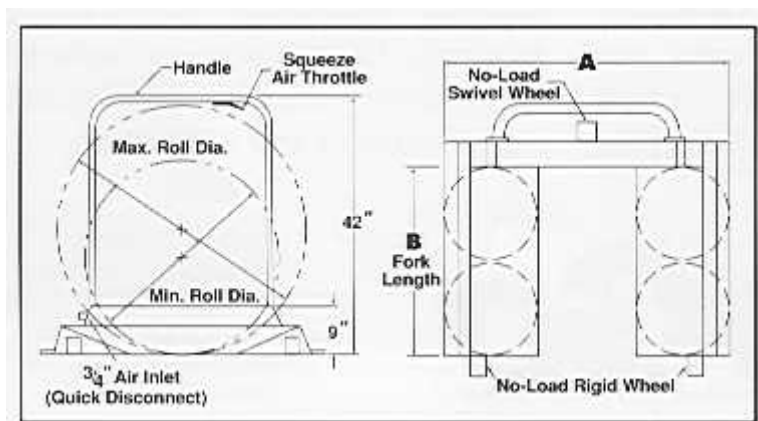
AeroGo Europe engineers are specialists in the design of virtually every type of load-moving equipment including wheeled, rail and our patented Aero-Caster® systems. We regularly design custom load moving systems in addition to our line of standard equipment. Contact us to discuss the most effective system to move your load.



AeroGo Europe nv
Industrial Transport Systems
Kloosterstraat 107
BE-2180 EKEREN Belgium

Tel. + 32/ (0)3/ 546.39.00
Fax + 32/ (0)3/ 546.39.39
Email: info@aerogo.be
Website: www.aerogo.be

Deutschland + 49/ (0)241.91.14.24
UK + 44/ (0)1732.36.00.54



Represented by:

